



COPY  
FILED

NOV 28 2018

NANCY PARENT  
WASHOE COUNTY CLERK

BY Deirdre Sandif  
DEPUTY

**NORTH LAKE TAHOE FIRE PROTECTION DISTRICT  
RESOLUTION NUMBER 18-2**

**A resolution of the North Lake Tahoe Fire Protection District adopting the 2018 edition of the *International Wildland-Urban Interface Code*, as ordinance regulating and governing the mitigation of hazard to life and property from the intrusion of fire from wildland exposures, fire from adjacent structures and prevention of structure fires from spreading to wildland fuels in the North Lake Tahoe Fire Protection District.**

**The Board of Directors of the North Lake Tahoe Fire Protection District does ordain as follows:**

WHEREAS, Nevada Revised Statutes Chapter 474 authorizes a duly organized fire protection district to provide for the prevention and extinguishment of fires; and

WHEREAS, Nevada Revised Statutes Chapter 474 provides that a Board of Fire Commissioners shall promulgate and enforce all regulations necessary for the administration and government of the district and for the furnishing of fire protection; and

WHEREAS, Nevada Revised Statutes Chapter 474 provides that a Board of Fire Commissioners shall eliminate and remove fire hazards from the districts wherever practicable and possible, whether on private or public premises; and

WHEREAS, the Board of Fire Commissioners of the North Lake Tahoe Fire Protection District does herewith find that the District has certain climatic, geologic, and topographical features that can have a deleterious or negative effect on the delivery of emergency services such as fire protection and emergency medical services; and

WHEREAS, the Board of Fire Commissioners of the North Lake Tahoe Fire Protection District finds that modifications and changes to the International Wildland-Urban Interface Code are reasonably necessary because of the following local climatic, geological, physical, and topographical conditions:

1. The North Lake Tahoe Fire Protection District is situated in mountainous inland terrain, where essentially the entire district is considered a wildland area covered by native vegetation on steep and frequently inaccessible mountainsides. The native groundcover is highly combustible and susceptible to producing ladder fuels and flying brands that will greatly increase the spread and severity of fire.

Further, the fire conditions described above carry the potential for overcoming the ability of the district fire suppression forces to aid or assist in fire control, evacuations, rescues and the emergency task demands inherent in such situations. The potential exists for the aforementioned conditions to result in catastrophic losses to life, property, and the scenic value of the community. The North Lake Tahoe Fire Protection District is situated near known geological faults, which are capable of generating earthquakes of significant and destructive magnitude. These faults are therefore capable of incapacitating the district water supply, roadways, communications, power, and physical properties at a time of emergent need.

2. The seasonal climatic conditions during the late summer and fall create numerous serious difficulties regarding the control of and protection against fires in the Lake Tahoe basin area and the North Lake Tahoe Fire Protection District specifically. The hot, dry weather typical of this area in the summer and fall coupled with prevailing winds from the southwest frequently affect wildfires that threaten or could threaten the North Lake Tahoe Fire Protection District. Natural vegetation occurring in the area of the district is among the most highly flammable in the world.

While some code requirements, such as fire-resistive roof classification, have a direct bearing on building survival in a wildland fire situation, others, such as residential fire sprinklers also have a positive and mitigating effect. During dry climatic conditions many materials are much more easily ignited, and fires are more likely to occur. Any fire, once started, can expand rapidly given the influences of typical climatic conditions of low humidity and winds. Residential fire sprinklers can arrest a fire starting within a structure before it could spread to adjacent wildland fuels or structures.

Winter months present additional challenges to the delivery of fire and emergency medical services where ice and accumulated snow adversely affect apparatus operation; these same climatic conditions limit fire suppression efforts and impede effective and safe access to buildings which may be involved with fire. The inclusion of built-in automatic fire suppression systems can effectively mitigate, control, or extinguish any structure fire in a protected premise, and thereby decrease the risk of structure firefighting and assist in the preservation of the community and the district's fire suppression forces.

3. Continued expansion or other additions to existing structures by property owners produces an increased assumption of risk by the North Lake Tahoe Fire Protection District and requires the addition of additional fire protection throughout the resulting structure. Automatic sprinkler systems can effectively manage this increased risk and further assist in the preservation of the community by providing the North Lake Tahoe Fire Protection District's fire suppression forces additional control and containment strategies in the event of a structure fire.

THEREFORE, be it resolved by the Board of Fire Commissioners of the North Lake Tahoe Fire Protection District that the following amendments be adopted for the protection of persons and property within the district:

**Section 1.** That a certain document, three (3) copies of which are on file in the office of the County Clerk of Washoe County, being marked and designated as the International Wildland-Urban Interface Code, 2018 edition, including Appendix A, B and C as published by the International Code Council, is hereby adopted as the Wildland-Urban Interface Code of the North Lake Tahoe Fire Protection District, in the State of Nevada for regulating and governing the mitigation of hazard to life and property from the intrusion of fire from wildland exposures, fire from adjacent structures and prevention of structure fires from spreading to wildland fuels as herein provides; providing for the issuance of permits; each and all of the regulations, provisions, penalties, conditions and terms of said Wildland-Urban Interface Code on file in the office of the North Lake Tahoe Fire Protection District are hereby referred to, adopted, and made a part hereof, as if fully set out in this ordinance, with the additions, insertions, deletions and changes, if any, prescribed in Section 2 of this ordinance. In all applications, the provisions of the Code shall take precedence in any case of conflict arising from the recommendations of the Appendix.

**Section 2.** The 2018 Edition of the International Wildland-Urban Interface Code is amended and changed in the following respects: See Exhibit "A," 2018 NORTHERN NEVADA AMENDMENTS TO THE 2018 INTERNATIONAL WILDLAND-URBAN INTERFACE CODE and Exhibit "B". Amendments to the 2018 Edition of the International Wildland-Urban Interface Code.

**Section 3.** If any provision herein regarding fire safety conflicts or is inconsistent with former ordinances regarding that same issue, then in that event, the fire code official may enforce the new provision or continue to enforce the prior provision in that officials sole discretion.

**Section 4.** That if any section, subsection, sentence, clause or phrase of this ordinance is, for any reason, held to be unconstitutional, such decision shall not affect the validity of the remaining portions of this ordinance. The North Lake Tahoe Fire Protection District

Board of Directors hereby declares that it would have passed this ordinance, and each section, subsection, clause or phrase thereof, irrespective of the fact that any one or more sections, subsections, sentences, clauses and phrases be declared unconstitutional.

**Section 5.** That nothing in this ordinance or in the International Wildland-Urban Interface Code hereby shall be construed to affect any suit or proceeding impending in any court, or any rights acquired, or liability incurred, or any cause or causes of action acquired or existing, under any act or ordinance hereby repealed as cited in Section 2 of his ordinance; nor shall any just or legal right or remedy of any character be lost, impaired or affected by this ordinance.

**Section 6.** Wherever the words “jurisdiction” or “department” are used in the International Fire Code, it shall be the North Lake Tahoe Fire Protection District

**Section 7.** That this ordinance and the rules, regulations, provisions, requirements, orders and matters established and adopted hereby shall take effect and be in full force and effect for its duration from and after the date of its final passage and adoption.

**Section 8.** Specific boundaries of natural or man-made features of wildland-urban interface areas shall be as shown on the wildland area interface map. The legal description of such area is as described as follows:

The North Lake Tahoe Fire Protection District original boundary established July 7th, 1959 is as follows: Beginning at the intersection of the ordinary low water line of Lake Tahoe with the Nevada-California State line, being a point south of fractional Section 30. T. 16 N., R. 18 E., thence northerly along the said state line to the quarter corner of Sections 18 and 19, T. 16 N., R. 18 E., thence in a northeasterly direction to the point where Latitude Line 39° 15' intersects the section line common to Sections 17 and 18 T. 16 N. R. 18 E., thence in an easterly direction 1000 feet north of Highway 28 to the Section corner common to Sections 15, 16, 21 and 22, T. 16 N., R. 18 E., thence easterly along that section line to a point on the quarter corner of Sections 14 and 23, T. 16 N., R. 18 E., thence in a southerly direction to the intersection of the ordinary low water line on the shore of Lake Tahoe, then westerly along the ordinary low water line of Lake Tahoe to point of beginning.

The North Lake Tahoe Fire Protection District changing the boundary previously outlined, establishes amended boundaries through Resolution # 4-63 annexing additional territory as Incline Village, lying within Township 16 North, Range 18 East, M.D.B. & M., Washoe County, Nevada, comprised of the following parcels: Section 1 All; Section 2 All; Section 3 All; Section 8 South Half; Section 9 All; Section 10 All; Section 11 All; Section 12 West Half; West Half of East Half; Section 13 All; Section 14 All; Section 15 All; Section 16 All of Section 16 lying-Northerly of a line running parallel to and 1000 feet Northerly of Nevada State Highway Number 28; Section 17 All of Section 17 lying

Northerly of a line running parallel to and 1000 feet Northerly of Nevada State Highway Number 28; Section 18 That portion of the Northeast Quarter; West Half of the Southeast Quarter and Lots 1 and 11 of Southeast Quarter of Section 18 lying North of the present North Lake Tahoe Fire Protection District; Section 23 East Half; Section 24 West Half; West Half of the Northeast Quarter; South Half of the Southeast Quarter; as duly given in public notice through said District's Resolution dated October 2, 1963.

**Section 9.** Any person who violates any of the provisions of the International Wildland-Urban Interface Code as adopted and amended herein or fails to comply therewith, or who violates or fails to comply with any order made thereunder, or who builds in violation of any detailed statement of specifications or plans submitted and approved thereunder, or any certificate or permit issued thereunder, and from which no appeal has been taken, or who fails to comply with such an order as affirmed or modified by the board of appeals or by a court of competent jurisdiction, within the required time, shall severally for each and every such violation and noncompliance, respectively, be guilty of a misdemeanor, punishable by a fine of not less than \$174.00 nor more than \$1,000.00 or by imprisonment for not less than one (1) day nor more than six (6) months or by both such fine and imprisonment. The imposition of one penalty for any violation shall not excuse the violation or permit it to continue and all such persons shall be required to correct or remedy such violations or defects within a reasonable time and when not otherwise specified, each day after receipt of a notice of violation that prohibited conditions are maintained shall constitute a separate offense

**Section 10.** Whenever the fire code official disapproves an application or refuses to grant a permit applied for, and the applicant claims that the provisions of the code do not apply or that the true intent and meaning of the code have been misconstrued or wrongly interpreted, the applicant may appeal the decision of the fire code official in writing to the Board of Appeals within 30 days from the date of the fire code official's decision. Any appeal shall follow Resolution Number 18-1.

**Section 11.** That the North Lake Tahoe Fire Protection District is hereby ordered and directed to cause this ordinance to be published

**Section 12. DATE OF EFFECT.**

This ordinance shall take effect and be in force on January 1, 2019 after its approval and filing with the Washoe County Clerk, or as required by law.

---



---

Approved by Ryan Sommers, Fire Chief

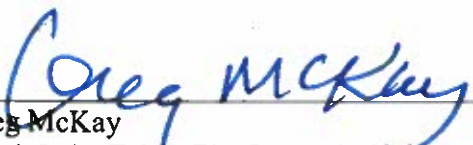
Be it further resolved that the Board of Fire Commissioners of the North Lake Tahoe Fire Protection District voted to accept this resolution as follows:

Passed and adopted this (27)th day of (November, 2018) by the following vote:

Ayes: 5

Noes: 0

Absent: 0



---

Greg McKay  
North Lake Tahoe Fire Protection District Board of Fire  
Commissioners Chairman

Certification and Seal

Attest:



---

Beckie Dunn-Spomer  
Secretary to the North Lake Tahoe Fire Protection District  
Board of Fire Commissioners

**Exhibit A**  
**2018 Northern Nevada International Wildland-Urban Interface Code**  
**Amendments**

**SEE ATTACHMENT A**

**Exhibit B**  
**Additions and Amendments**  
**To the 2018 International Wildland-Urban Interface Code**

**SEE ATTACHMENT B**

**2018 NORTHERN NEVADA AMENDMENTS TO THE 2018 INTERNATIONAL WILDLAND-URBAN  
INTERFACE CODE**

**October 16, 2018**

**Published by the Authorities Having Jurisdiction listed below**

**Participating Agencies**

**Carson City Fire Department**

**777 South Stewart Street**

**Carson City, NV 89701**

**East Fork Fire Protection District**

**1694 County Road**

**Minden, NV 89423**

**North Lake Tahoe Fire Protection District**

**866 Oriole Way**

**Incline Village, NV 89451**

**Smith Valley Fire Protection District**

**1 Hardie Lane**

**Smith, NV 89430**

**Sparks Fire Department**

**1605 Victorian Avenue**

**Sparks, NV 89431**

**Storey County Community Development**

**P.O. Box 526**

**Virginia City, NV 89440**

**Tahoe Douglas Fire Protection District**

**193 Elks Point Road**

**Zephyr Cove, NV 89448**

**Truckee Meadows Fire Protection District**

**1001 East Ninth Street, Building D, Second Floor**

**Reno, NV 89520**



## Preface

This document comprises proposed amendments to the 2018 Edition of the International Wildland-Urban Interface Code as published by the International Code Council, Inc, amended by the Participating Agencies listed above, with the support of the Northern Nevada Chapter of the International Code Council. This document is hereafter referenced as the 2018 Northern Nevada Wildland-Urban Interface Code Amendments and is prepared to be adopted by reference by the local authority having jurisdiction. These provisions are not considered to be or enacted as the code unless the provisions are adopted and codified by the local Authority Having Jurisdiction.

The purpose of the document is to provide a consistent area-wide application to the enforcement of the fire and life safety code sections noted in the International Wildland-Urban Interface Code, while still acknowledging necessary modifications to the nationally recognized fire and life safety document based upon the local needs of the community.

### Notes:

Deleted language in the base code has been ~~stricken through~~.

Added language to the code section has been underlined.

The entire section amended has been shown for context.

The following participating agencies have reviewed the attached document referenced as the 2018 Northern Nevada Wildland Urban Interface Fire Code Amendments and agree with the amendments to the 2018 International Wildland-Urban Interface Code as stated therein. It is noted that the code amendments must be approved and adopted and codified by the local Authority Having Jurisdiction to become code.

---

**Dave Ruben**

**Carson City Fire Department**

---

**Steve Eisele**

**East Fork Fire Protection District**

---

**Mark Regan**

**North Lake Tahoe Fire Protection District**

---

**Robert Loveberg**

**Smith Valley Fire Protection District**

---

**Robert King**

**Sparks Fire Department**

---

**Martin Azevedo**

**Storey County Community Development**

---

**Eric Guevin**

**Tahoe Douglas Fire Protection District**

---

**Lisa Beaver**

**Truckee Meadows Fire Protection District**

## TABLE OF CONTENTS

<b>Section</b>		<b>Page</b>
101.2	Scope	5
105.3	Alternative materials, design, and methods	5
106.1	General	5
106.2	Limitations of Authority	6
302.3	Review of wildland-urban interface areas	6
402.2.2	Water supply	6
404.1	General	7
404.5	Adequate water supply	7
501.2	Objective	7
502.1	General	8
Table 503.1	Ignition-Resistant Construction	8
504.2	Roof covering	10
504.7.1	Underfloor areas	10
504.10.1	Vent locations	10
505.2	Roof covering	11
505.10.1	Vent locations	11
603.2.1.1	Adjacent land	12
603.2.2	Trees	12
604.4	Trees	12
604.4.1	Chimney clearance	12
604.5	Non-combustible area	12
607.1	General	13
B101.1	Scope	13
B101.2	Plan content	13
B102	Defensible Space Plans	14

## 2018 Northern Nevada Wildland-Urban Interface Code Amendments

### Section 101.2 Scope

*Section 101.2 is amended to read:*

**101.2 Scope.** The provisions of this code the Wildland Urban Interface Code shall apply to the construction, alteration, movement, repair, maintenance and use of any building, structure or premises and to the management of fuels on undeveloped lots and on unmodified portions of large lots within the wildland-urban interface areas in this jurisdiction.

Buildings or conditions in existence at the time of the adoption of this code are allowed to have their use or occupancy continued, if such condition, use or occupancy was legal at the time of the adoption of this code, provided such continued use does not constitute a distinct danger to life or property.

Buildings or structures moved into or within the jurisdiction shall comply with the provisions of this code for new buildings or structures.

### Section 105.3 Alternative materials, design, and methods

*Section 105.3 is amended to read:*

**105.3 Alternative materials, design, and methods.** The provisions of this code are not intended to prevent the installation of any material or to prohibit any design or method not specifically prescribed by this code, provided that any such alternative has been approved. An alternative material, design or method shall be approved where ~~the building official in concurrence with~~ the fire chief finds that the proposed design is satisfactory and complies with the intent of the provisions of this code, and that the material, method or work offered is, for the purpose intended, not less than the equivalent of that prescribed in this code in quality, strength, effectiveness, fire resistance, durability and safety.

Where the alternative material, design or method is not approved, ~~the building official~~ fire chief shall respond in writing, stating the reasons why the alternative was not approved.

### Section 106.1 General

*Section 106.1 is amended to read:*

**106.1 General.** To determine the suitability of alternative materials and methods and to provide for reasonable interpretations of the provisions of this code see International Fire Code section 109 as adopted by the Authority Having Jurisdiction, ~~there shall be and hereby is created a board of appeals consisting of five members who are qualified by experience and training to pass judgment on pertinent matters. The code official, building official and fire chief shall be ex officio members, and the code official shall act as secretary of the board. The board of appeals shall be appointed by the legislative body and shall hold office at their discretion. The board shall adopt reasonable rules and regulations for~~

~~conducting its investigations and shall render decisions and findings in writing to the code official, with a duplicate copy to the applicant.~~

## **Section 106.2 Limitations of Authority**

*Section 106.2 is deleted:*

~~**106.2 Limitations of authority.** The board of appeals shall not have authority relative to interpretation of the administrative provisions of this code and shall not have authority to waive requirements of this code.~~

## **Section 302.3 Review of wildland-urban interface areas.**

*Section 302.3 is amended to read:*

**302.3 Review of wildland-urban interface areas.** The code official shall reevaluate and recommend modification to the *wildland-urban interface areas* in accordance with Section 302.1 ~~on a 3-year basis or more frequently as deemed necessary by the legislative body.~~ as deemed necessary by the code official.

## **Section 402.2.2 Water supply**

*Section 402.2.2 is amended to read:*

**Section 402.2.2 Water Supply.** Individual structures hereinafter constructed or relocated into or within wildland-urban interface areas shall be provided with a conforming water supply in accordance with Section 404.

### **Exceptions:**

1. Structures constructed to meet the requirements for the class of ignition-resistant construction specified in Table 503.1 for a nonconforming water supply.
2. Buildings containing only private garages, carports, sheds and agricultural buildings with a floor area of not more than 600 square feet (56 m<sup>2</sup>).
3. Agricultural buildings constructed for the storage limited to harvested commodities, without electrical or fuel gas services.

## Section 404.1 General

*Section 404.1 is amended to read:*

**404.1 General.** Where provided in order to qualify as a conforming water supply for the purpose of Table 503.1 or as required for new subdivisions in accordance with Section 402.1.2, an *approved* water source shall have an adequate water supply for the use of the fire protection service to protect buildings and structures from exterior fire sources or to suppress structure fires within the *wildland-urban interface area* of the jurisdiction in accordance with this section.

**Exception:** Buildings containing only private garages, carports, sheds and agricultural buildings with a floor area of not more than 600 square feet (56 m<sup>2</sup>), and agricultural buildings constructed for the storage of harvested crops or agricultural commodities without electrical or fuel gas services.

## Section 404.5 Adequate water supply

*Section 404.5 is amended to read:*

**404.5 Adequate water supply.** Adequate water supply shall be determined for purposes of initial attack and flame front control as follows:

1. One- and two-family dwellings. The required water supply for one-and two-family dwellings having a fire flow calculation area that does not exceed 3,600 square feet (334 m<sup>2</sup>) shall be 1,000 gallons per minute (63.1 L/s) for a minimum duration of 30 minutes. The required fire flow supply for one- and two-family dwellings having a flow calculation area in excess of 3,600 square feet (334 m<sup>2</sup>) shall be 1,500 gallons per minute (95 L/s) for a minimum duration of 30 minutes.

**Exception:** A reduction in required flow rate of ~~75~~ 50 percent, as approved by the code official, is allowed where the building is provided with an approved automatic sprinkler system.

2. Buildings other than one- and two-family dwellings. The water supply required for buildings other than one- and two-family dwellings shall be as approved by the code official but shall not be less than 1,500 gallons per minute (95 L/s) for a duration of 2 hours.

**Exception:** A reduction in required flow rate of up to ~~75~~ 50 percent, as approved by the code official, is allowed where the building is provided with an approved automatic sprinkler system. The resulting water supply shall not be less than 1,500 gallons per minute (94.6 L/s).

## Section 501.2 Objective

*Section 501.2 is amended to read:*

**501.2 Objective.** The objective of this chapter is to establish minimum standards to locate, design and construct buildings and structures or portions thereof for the protection of life and property, to resist damage from wildfires, and to mitigate building and structure fires from spreading to wildland fuels.

The minimum standards set forth in this chapter vary with the critical *fire weather*, slope and fuel type to provide increased protection, above the requirements set forth in the *International Building Code* and the *International Residential Code*, from the various levels of hazards.

### **Section 502.1 General**

*Section 502.1 is amended to read:*

**502.1 General.** The fire hazard severity of building sites for all buildings hereafter constructed, modified or relocated into *wildland-urban interface areas* shall be established in accordance with Table 502.1 or Appendix C or the map developed by the Authority Having Jurisdiction as determined by the code official. ~~See also Appendix C.~~

### **Table 503.1 Ignition-Resistant Construction**

*Table 503.1 is amended to read as follows:*

Table 503.1

**IGNITION-RESISTANT CONSTRUCTION <sup>a</sup>**

DEFENSIBLE  SPACE <sup>c</sup>	FIRE HAZARD SEVERITY					
	Moderate Hazard		High Hazard		Extreme Hazard	
	Water supply <sup>d</sup>		Water supply <sup>b</sup>		Water supply <sup>b</sup>	
	Conforming <sup>d</sup>	Nonconforming <sup>e</sup>	Conforming <sup>d</sup>	Nonconforming <sup>a</sup>	Conforming <sup>d</sup>	Nonconforming <sup>e</sup>
Nonconforming	IR 2	IR 1	IR 1	IR 1 N.C.	IR 1 N.C.	Not Permitted
Conforming	IR 3	IR 2	IR 2	IR 1	IR 1	IR 1 N.C.
1.5 x Conforming <sup>f</sup>	Not Required	IR 3	IR 3	IR 2	IR 2	IR 1

- a. Access shall be in accordance with Section 403.
- b. Subdivisions shall have a conforming water supply in accordance with Section 402.1.  
 IR 1= Ignition-resistant construction in accordance with Section 504.  
 IR 2= Ignition-resistant construction in accordance with Section 505.  
 IR 3= Ignition-resistant construction in accordance with Section 506.  
 N.C.= Exterior walls shall have a fire-resistance rating of not less than 1 hour and the exterior surfaces of such walls shall be noncombustible. Usage of log wall construction is allowed.
- c. Conformance based on Section 603.
- d. Conformance based on Section 404.
- e. A nonconforming water supply is any water system or source that does not comply with Section 404, including situations where there is not water supply for structure protection or fire suppression.
- f. Only with the approval of the fire code official



## Section 504.2 Roof covering

*Section 504.2 is amended to read:*

**504.2 Roof covering.** Roofs shall have a Class A rating when tested in accordance with ASTM E108 or UL 790. For roof coverings where the profile allows a space between the roof covering and roof decking, the space at the eave ends and ridge line shall be fire-stopped to preclude entry of flames or embers, or have one layer of 72-pound (32.4 kg) mineral-surfaced, nonperforated cap sheet complying with ASTM D 3909 installed over the combustible decking. Roof coverings consisting of shakes or shingles made of wood are not approved as part of any Class A roof assembly.

### Exceptions:

1. Class A roof assemblies include those with coverings of brick, masonry or an exposed concrete roof deck.
2. Class A roof assemblies also include ferrous or copper shingles or sheets, metal sheets and shingles, clay or concrete roof tile or slate installed on noncombustible decks or ferrous, copper or metal sheets installed without a roof deck on noncombustible framing.
3. Class A roof assemblies include a minimum 16 oz/sq. ft. (0.0416 kg/m<sup>2</sup>) copper sheets installed over combustible decks.

## Section 504.7.1 Underfloor areas

*Section 504.7.1 is amended to read:*

**504.7.1 Underfloor areas.** When the attached structure is located and constructed so that the structure or any portion thereof projects over a descending slope surface greater than 10 percent, the area below the structure shall have all underfloor areas enclosed to within 6 inches (152 mm) of the ground, with exterior wall construction in accordance with Section 504.5.

**Exception:** When approved by the code official, unenclosed underfloor areas are allowed and are to be kept free of all combustible materials.

## Section 504.10.1 Vent locations

*Section 504.10.1 is amended to read:*

**504.10.1 Vent locations.** Attic ventilation openings shall not be located in soffits, in eave overhangs, between rafters at eaves, or in other overhang areas. Ember-resistant gable end and dormer vents shall be located at least 10 feet (3048 mm) from lot lines. Underfloor ventilation openings shall be located as close to grade as practical.

**Exceptions:**

1. Listed vents complying with ASTM E2886.
  - 1.1 The Ember Intrusion Test shall have no flaming ignition of the cotton material.
  - 1.2 There shall be no flaming ignition during the Integrity Test portion of the Flame Intrusion Test. The maximum temperature of the unexposed side of the vent shall not exceed 662 degrees Fahrenheit (350 degrees Celsius).
2. The fire code official may accept or approve special eave and cornice vents that resist the intrusion of flame and burning embers.

**Section 505.2 Roof covering**

*Section 505.2 is amended to read:*

**505.2 Roof Covering.** Roofs shall have a roof assembly that complies with not less than a Class A B rating when tested in accordance with ASTM E108 or UL 790, ~~or an approved noncombustible roof covering.~~ For roof coverings where the profile allows a space between the roof covering and roof decking, the space at the eave ends shall be fire stopped to preclude entry of flames or embers, or have one layer of 72-pound mineral-surfaced, nonperforated cap sheet complying with ASTM D3909 installed over the combustible decking

**Section 505.10.1 Vent locations**

*Section 505.10.1 is amended to read:*

**505.10.1 Vent locations.** Attic ventilation openings shall not be located in soffits, in eave overhangs, between rafters at eaves, or in other overhang areas. Ember-resistant gable end and dormer vents shall be located at least 10 feet (3048 mm) from lot lines. Underfloor ventilation openings shall be located as close to grade as practical.

**Exceptions:**

1. Listed vents complying with ASTM E2886.
  - 1.1 The Ember Intrusion Test shall have no flaming ignition of the cotton material.
  - 1.2 There shall be no flaming ignition during the Integrity Test portion of the Flame Intrusion Test. The maximum temperature of the unexposed side of the vent shall not exceed 662 degrees Fahrenheit (350 degrees Celsius).
2. The fire code official may accept or approve special eave and cornice vents that resist the intrusion of flame and burning embers.

### Section 603.2.1.1 Adjacent land

*Section 603.2.1.1 is added to Section 603.2.1 Responsible party to read:*

**603.2.1 Responsible party.** Persons owning, leasing, controlling, operating or maintaining buildings or structures requiring defensible spaces are responsible for modifying or removing non-fire-resistive vegetation on the property owned, leased or controlled by said person.

**603.2.1.1 Adjacent land.** Property owners of land that is directly adjacent to property containing buildings or structures requiring defensible space are responsible for modifying or removing non-fire-resistive vegetation on their own property. Nothing in this provision shall be deemed to require an owner of real property to perform any work on land that he or she does not own.

### 603.2.2 Trees

*Section 603.2.2 is amended to read:*

**603.2.2 Trees.** Trees are allowed within the *defensible space*, provided the horizontal distance between crowns of adjacent trees and crowns of trees and structures, overhead electrical facilities or unmodified fuel is not less than 10 feet (3048 mm) or an acceptable distance as determined by the code official.

### Section 604.4 Trees

*Section 604.4 is amended to read:*

**604.4 Trees.** Tree crowns extending to within 10 feet (3048 mm) of any structure shall be pruned to maintain a minimum ~~horizontal~~ clearance of 10 feet (3048 mm) or an acceptable distance as determined by the code official. Tree crowns within the *defensible space* shall be pruned to remove limbs located less than ~~6~~ 10 feet (3048 mm) above the ground surface adjacent to the trees; or an acceptable distance as determined by the code official.

### Section 604.4.1 Chimney clearance

*Section 604.4.1 is amended to read:*

**604.4.1 Chimney clearance.** Portions of tree crowns that extend to within 10 feet (3048 mm) of the outlet of a chimney shall be pruned to maintain a minimum ~~horizontal~~ clearance of 10 feet (3048 mm).

### 604.5 Non-combustible area

*Section 604.5 is added to Section 604 Maintenance of Defensible Space to read:*

**604.5 Non-combustible area.** The area extending from the base of any structure to 5 feet beyond the base of such structure shall be composed entirely of non-combustible material or fire resistive vegetation.

### **Section 607.1 General**

*Section 607.1 is amended to read:*

**607.1 General.** Firewood and combustible material shall not be stored in unenclosed spaces beneath buildings or structures, or on decks or under eaves, canopies or other projections or overhangs. When required by the code official, storage of firewood and combustible material stored in the *defensible space* shall be located a minimum of ~~20-30~~ feet (~~6096~~ 9144 mm) from structures and separated from the crown of trees by a minimum horizontal distance of 15 feet (4572 mm).

**Exception.** Approved fire-resistance-rated coverings used in accordance with their listing and as approved and allowed by the Fire Code Official.

### **Appendix Section B101.1 Scope**

*Section B101.1 is amended to read:*

**B101.1 Scope.** Where required vegetation management plans shall be submitted to the code official and the State Forester Fire Warden for review and approval as part of the plans required for a permit.

### **Appendix Section B101.2 Plan content**

*Section B101.2 is amended to read:*

**B101.2 Plan content.** Vegetation management plans shall describe all actions that will be taken to prevent a fire from being carried toward or away from the building. A vegetation management plan shall include at least the following information:

1. A copy of the ~~site~~ *defensible space* plan.
2. Methods and timetables for controlling, changing or modifying areas on the property. Elements of the plan shall include removal of slash, snags, vegetation that may grow into overhead electrical lines, other ground fuels, ladder fuels and dead trees, and the thinning of live trees.
3. A plan for maintaining the proposed fuel-reduction measures.

## **Appendix Section B102 Defensible Space Plans**

*Sections B102, B102.1, and B102.2 are added to Appendix B Vegetation Management Plan is read:*

### **B102 Defensible Space Plans.**

**B102.1 General.** Where required, defensible space plans must be submitted to the code official for review and approval as part of the plans required for a permit.

**B102.2 Plan content.** A defensible space plan shall include at least the following information:

- 1. Property boundaries.**
- 2. Current and proposed structures on the property.**
- 3. Trees and vegetation taller than 3 feet in height.**
- 4. Individual plant or brush fields 20 square feet or larger in area.**
- 5. Tree drip lines.**
- 6. Roads and driveways abutting the property.**

**Exhibit B**  
**Additions and Amendments**  
**To the 2018 International Wildland-Urban Interface Code**

(Conventions used in this document: An underscore is used to indicate new or replacement language from the model code language and ~~strikeout~~ is used to indicate model code language removed from this adoption.)

**CHAPTER 1-ADMINISTRATION**

*Insert the name of the jurisdiction in Section 101.1 Title, to read as follows:*

**101.1 Title.** These regulations shall be known as the *Fire Code of the North Lake Tahoe Fire Protection District*, hereinafter referred to as "this code."

*Add a new Section 106.3 Application, to read as follows:*

**106.3 Application.** All applications for appeal to the board shall be submitted to the fire code official in writing within 30 days of the issue. A nonrefundable application fee of \$600.00 shall accompany any appeal.

*Add a new Section 504.7.2 and 504.7.3 and Detail 504.7 Decks, to read as follows:*

**504.7.2 Decks.** All decks shall be constructed with the following:

1. Three-inch-high or greater metal flashing that is a minimum 26 gage separating the decking and combustible exterior walls.
2. Quarter inch deck board spacing with foil-faced bitumen tape or corrosion-resistant metal applied to the top and upper 2-inches of the side surfaces of the supporting joist.

**504.7.3 Heavy timber construction for decks, patio covers, and similar structures defined as:**  
Minimum 6x6 columns, 4x8 floor joists, 4x10 or 6x8 beams, 3x ledgers and 2x decking.

*Add a new Section 505.7.2 and 505.7.3 and Detail 504.7 Decks, to read as follows:*

**505.7.2 Decks.** All decks shall be constructed with the following:

1. Three-inch-high or greater metal flashing that is a minimum 26 gage separating the decking and combustible exterior walls.
2. Quarter inch deck board spacing with foil-faced bitumen tape or corrosion-resistant metal applied to the top and upper 2-inches of the side surfaces of the supporting joist.

**505.7.3 Heavy timber construction for decks, patio covers, and similar structures defined as:**  
Minimum 6x6 columns, 4x8 floor joists, 4x10 or 6x8 beams, 3x ledgers and 2x decking.

*Add a new Section 506.5 and 506.7.3 and Detail 504.7 Decks, to read as follows:*

**506.5 Decks.** All decks shall be constructed with the following:

1. Three-inch-high or greater metal flashing that is a minimum 26 gage separating the decking and combustible exterior walls.
2. Quarter inch deck board spacing with foil-faced bitumen tape or corrosion-resistant metal applied to the top and upper 2-inches of the side surfaces of the supporting joist.

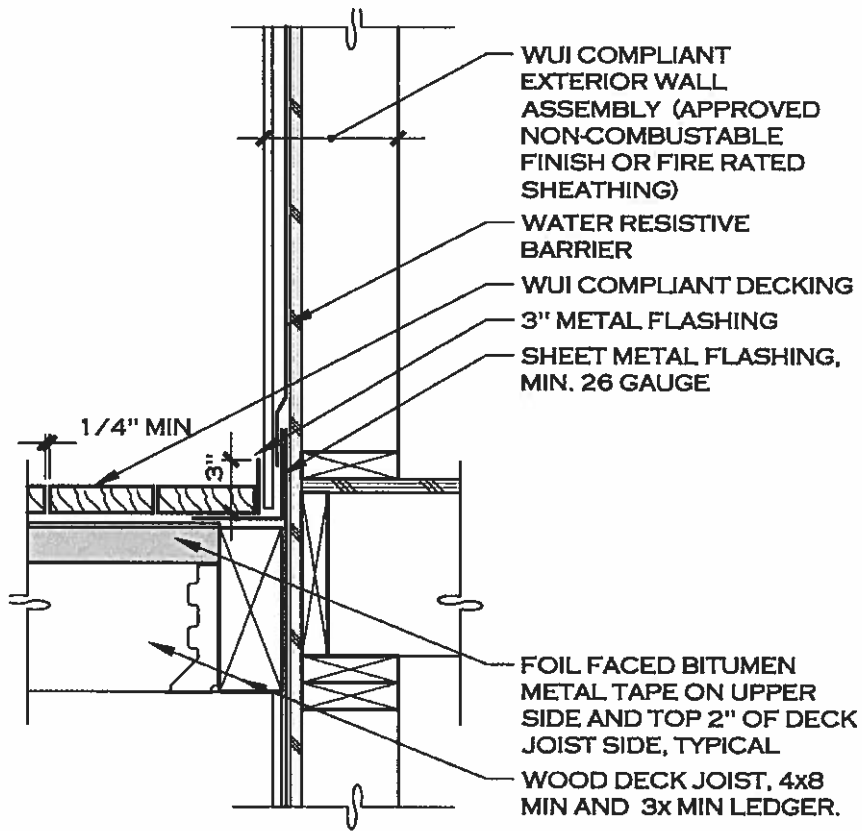
**506.7.3 Heavy timber construction for decks, patio covers, and similar structures defined as:**  
Minimum 6x6 columns, 4x8 floor joists, 4x10 or 6x8 beams, 3x ledgers and 2x decking.

## **Section 507 Replacement Or Repair of Roof Coverings, Exterior Walls and Decks**

**507.1 General Roof Coverings.** The roof covering on buildings or structures in existence prior to the adoption of this code that are replaced ~~or have 25 percent~~ with more than 100 square feet ~~or more replaced in a 12-month period~~ shall be replaced with a roof covering required for new construction based on the type of ignition-resistant construction.

**507.2 Exterior Walls.** The exterior wall covering on buildings or structures in existence prior to the adoption of this code that are replaced with more than 25 percent of the exterior covering shall be replaced with a covering required for new construction based on the type of ignition-resistant construction.

**507.3 Decks.** The deck covering on buildings or structures in existence prior to the adoption of this code that are replaced with more than 25 percent of the exterior covering shall be replaced with a covering required for new construction based on the type of ignition-resistant construction.



### **WUI COMPLIANT WOOD DECK**

SCALE: NTS

DETAIL 504.7